

REPAIR PARTS

RNPE R5

NPE/NPE-F REPAIR PARTS



 **GOULDS**
WATER TECHNOLOGY
a xylem brand

TABLE OF CONTENTS

NPE END SUCTION

| | |
|---|---|
| NPE Product Line Numbering System..... | 3 |
| NPE Seal Chart (Part of Numbering System)..... | 3 |
| Parts List | 4 |
| Optional Components | 4 |
| Pictorial Breakdown of Pump | 5 |
| Impeller Chart Standard Impeller by Impeller Code | 6 |
| Impeller Chart by Motor Size at 3500 RPM | 6 |
| Motor Chart | 7 |

NOTE:

For units built before September, 1997

The following upgrades are interchangeable.

- (1) Item 349 Guidevane O-Ring was upgraded from O-Ring to Square Seal Ring.
- (2) Pump Components have been upgraded from 304 SS to 316L SS.
- (3) Mechanical Seal upgrades as noted on page 3.
- (4) Pump Mounting location for motor adapter with foot to pump support are interchangeable.

NPE/NPE-F NUMBERING SYSTEM

1 ST 2 C 1 A 4 F R

CASING ROTATION, OPTIONAL

R = 3 o'clock L = 9 o'clock B = 6 o'clock

Note: Rotation when viewed from suction end of pump. Standard discharge position is 12 o'clock.

SEAL VENT/FLUSH OPTION

MECHANICAL SEAL and O-RING

4 = Pre-Engineered Standard. For Optional Mechanical Seal modify catalog order no. with Seal Code listed below.

| Type 21 Mechanical Seal (5/8" seal) | | | | | | |
|-------------------------------------|-----------------|-----------------|------------|-------------|----------|---------------|
| Seal Code | Rotary | Stationary | Elastomers | Metal Parts | Part No. | Casing O-Ring |
| 2 | Carbon | Silicon Carbide | EPR | 316 SS | 10K18 | EPR |
| 4 | | | Viton | | 10K55 | Viton |
| 5 | Silicon Carbide | | EPR | | 10K81 | EPR |
| 6 | | | Viton | | 10K62 | Viton |
| 8* | Carbon | Ceramic | EPR | | 10K167 | EPR |
| 9 | | | Teflon | | 10K52 | Teflon |

* This is a JC Type 2100 unitized seal ideal for glycol applications.

IMPELLER OPTION CODE . . . NO ADDER REQUIRED

For Optional Impeller Diameters modify catalog order no. with Impeller code listed below. Select Optional Impeller Diameter from Pump Performance Curve.

| Impeller Code | Pump Size | | |
|---------------|-----------|-----------|----------|
| | 1 x 1¼-6 | 1¼ x 1½-6 | 1½ x 2-6 |
| | Diameter | Diameter | Diameter |
| K | | 6⅞ | |
| G | | 5⅝ | 5⅝ |
| H | | 5½ | 5 |
| A | 6⅞ | 5¼ | 4¾ |
| B | 5¾ | 5⅛ | 4⅝ |
| C | 5⅝ | 4⅞ | 4⅝ |
| D | 4¾ | 4⅝ | 4⅛ |
| E | 4⅞ | 4¼ | 3⅝ |
| F | 4⅛ | 3⅞ | |

Note: Not recommended for operation beyond printed H-Q curve.

For critical application conditions, consult factory.

Note: Not all combinations of motor, impeller and seal options are available for every pump model. Please check with factory on non-cataloged numbers.

Note: Impeller diameter is measured at the vane. The overall diameter of the shroud may be greater.

DRIVER

| | | |
|-----------------|----------------------|---------------------|
| 1 = 1 PH, ODP | 7 = 3 PH, XP | C = 3 PH, 575 TE PE |
| 2 = 3 PH, ODP | 8 = 575 V, XP | D = 3 PH, XP PE |
| 3 = 575 V, ODP | 9 = 3 PH, TE PE | E = 3 PH, WD PE |
| 4 = 1 PH, TEFC | 0 = 1 PH, XP | F = 1 PH, ODP PE |
| 5 = 3 PH, TEFC | A = 3 PH, ODP PE | G = 1 PH, TEFC PE |
| 6 = 575 V, TEFC | B = 3 PH, 575 ODP PE | H = 1 PH, XP PE |

HP RATING

| | | | |
|----------|-----------|----------|----------|
| C = ½ HP | E = 1 HP | G = 2 HP | J = 5 HP |
| D = ¾ HP | F = 1½ HP | H = 3 HP | |

DRIVER: HERTZ/POLE/RPM

| | |
|-----------------------------|-----------------------------|
| 1 = 60 HZ, 2 pole, 3500 RPM | 4 = 50 HZ, 2 pole, 2900 RPM |
| 2 = 60 HZ, 4 pole, 1750 RPM | 5 = 50 HZ, 4 pole, 1450 RPM |
| 3 = 60 HZ, 6 pole, 1150 RPM | |

MATERIAL

ST = Stainless Steel

PUMP SIZE

1 = 1 x 1¼ - 6 2 = 1¼ x 1½ - 6 3 = 1½ x 2 - 6

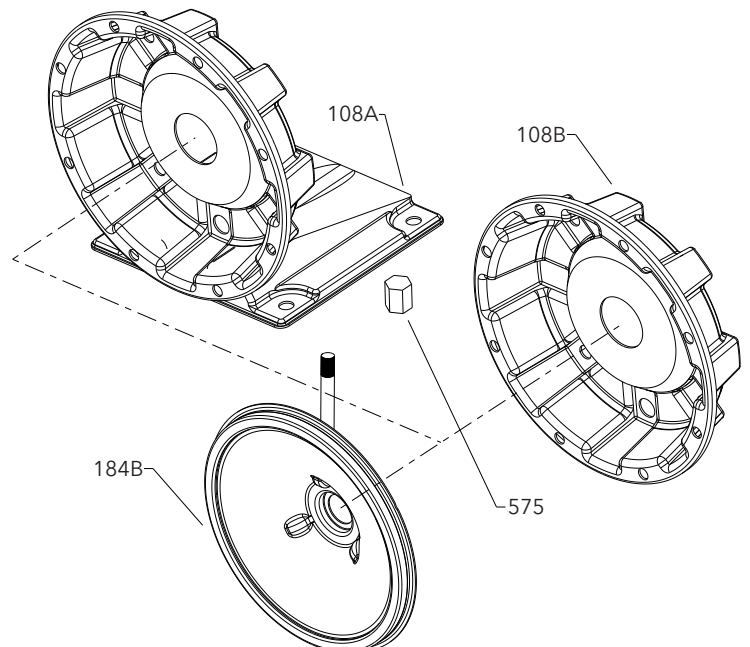
For Frame Mounted version, substitute the letters "FRM" in these positions.

NPE STANDARD REPAIR PARTS LIST

| Item No. | Description | Materials of Construction | 1ST 1 x 1¼ | 2ST 1¼ x 1½ | 3ST 1½ x 2 | QUANTITY |
|----------|------------------------------|---------------------------|-------------------------------------|----------------|---------------|----------|
| 100 | Casing | AISI 316L SS | 1L81 | 1L82 | 1L83 | 1 |
| 101 | Impeller + Spring Retainer | | See Impeller chart on page 6 | | | 1 |
| 108A | Motor adapter with foot* | 304 SS | 1L80 | | | 1 |
| 108B | Motor adapter less foot* | | 1L87 | | | |
| 123 | Deflector | BUNA-N | 5K7 | | | 1 |
| 184A | Seal housing standard | AISI 316L SS | 1L79 | | | 1 |
| 184B | Seal housing with seal flush | | 1L333 | | | |
| 240 | Motor support | 300 SS | 4L423 | | | 1 |
| | Rubber channel | Rubber | 9K188 , 9K753 (based on HP) | | | 1 |
| 304 | Impeller locknut | AISI 316 SS | 13K286 | | | 1 |
| 347 | Guidevane | AISI 316L SS | 3L23 | 3L24 | 3L25 | 1 |
| 349 | Seal ring, guidevane | Viton standard | 5K269 | 5K270 | | 1 |
| | | EPR | 5K273 | 5K274 | | |
| | | BUNA | 5K271 | 5K272 | | |
| | | Teflon | 5L96 | 5L97 | | |
| 370 | Socket head screw, casing | AISI 410 SS | 13L65 | | | 8 |
| 371 | Bolts, motor | Steel/plated | 13K252 | | | 4 |
| 383 | Mechanical seal | | See Mechanical Seal Chart on Page 3 | | | 1 |
| 408 | Drain and vent plug, casing | AISI 316 SS | 6L3 | | | 2 |
| 412B | O-ring, drain plugs | Viton, standard | 5L99 | | | 2 |
| | | EPR | 5L80 | | | |
| | | BUNA | 5L62 | | | |
| | | Teflon | 5L100 | | | |
| 513 | O-ring, casing | Viton standard | 5K206 | | | 1 |
| | | EPR | 5K193 | | | |
| | | BUNA | 5K4 | | | |
| | | Teflon | 5L98 | | | |
| 575 | Pipe Cap | 304 SS | 6K150 | | | 1 |
| 576 | Spring Retainer | 316 SS | 4K1221 | | | 1 |

* Flush access hole provided.

NOTE:
OPTIONAL SEAL FLUSH COMPONENTS



NOTE:

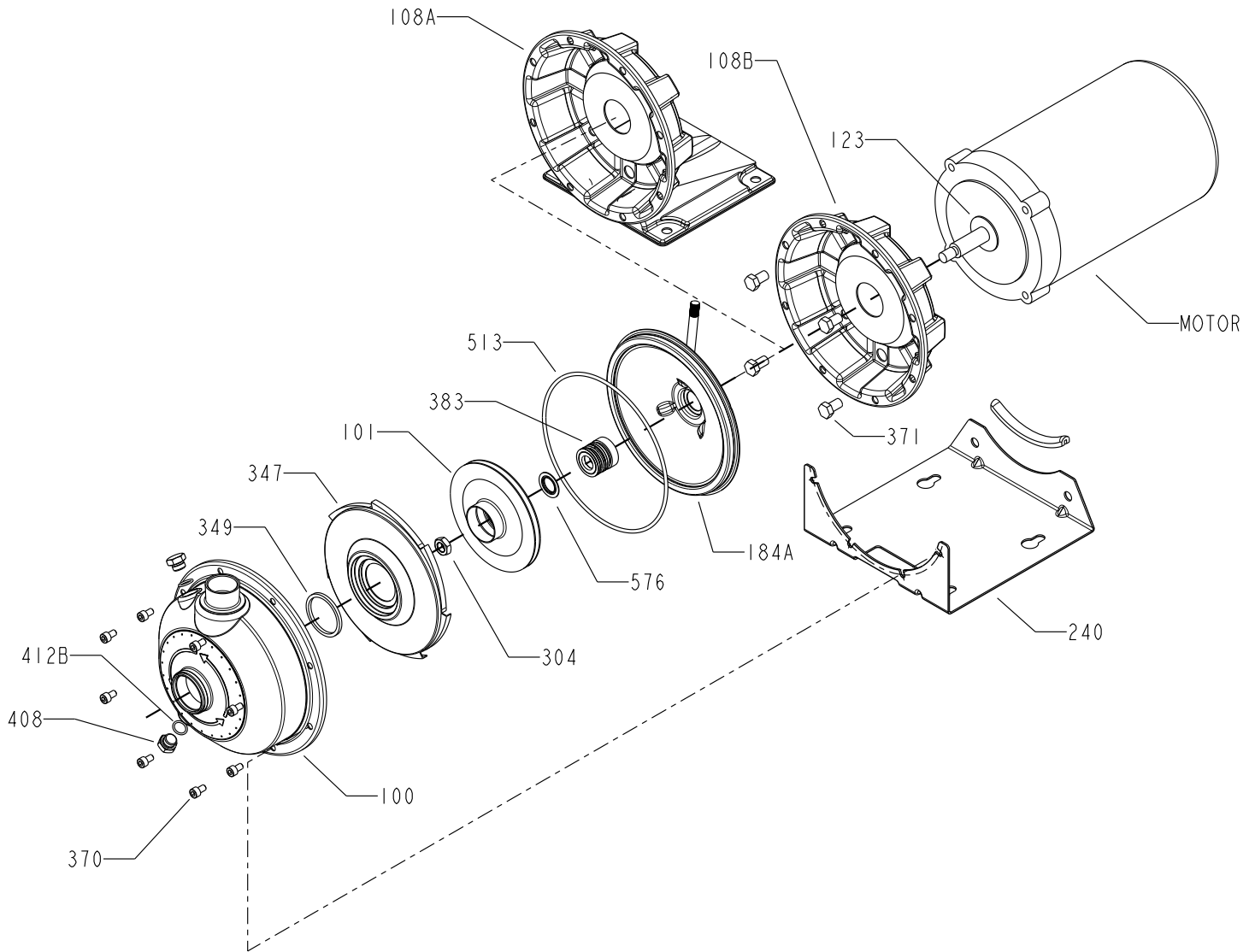
Close-coupled units using motors ½ - 1 HP (TEFC and ODP) will use footed motor adapter as standard.

Close-coupled units using motors 1½ - 3 HP (TEFC and ODP) will use footless motor adapter as standard.

Close-coupled units using motors 5 HP and all X-Proof will have a foot attached to the motor.

NOTE:

Frame mounted units (NPE-F) utilize the XS Power Frame and motor adapter less foot. For repair parts for the power frame refer to the XS-Power Frame repair parts page in the parts section of your catalog. To order the power frame complete order item 14L61.



NPE STANDARD IMPELLERS

| Impeller Code | Pump Size | | | | | |
|---------------|-----------|----------|-----------|----------|----------|----------|
| | 1 x 1¼-6 | | 1¼ x 1½-6 | | 1½ x 2-6 | |
| | Diameter | Part No. | Diameter | Part No. | Diameter | Part No. |
| K | | | 6⅞ | 2K1221 | | |
| G | | | 5⅞ | 2K1206 | 5⅞ | 2K1209 |
| H | | | 5½ | 2K1205 | 5 | 2K1208 |
| A | 6⅞ | 2K1203 | 5¼ | 2K1216 | 4¾ | 2K1220 |
| B | 5¾ | 2K1202 | 5⅞ | 2K1204 | 4⅞ | 2K1207 |
| C | 5¾ | 2K1201 | 4⅞ | 2K1215 | 4⅞ | 2K1219 |
| D | 4¾ | 2K1200 | 4⅞ | 2K1214 | 4⅞ | 2K1218 |
| E | 4⅞ | 2K1199 | 4¼ | 2K1213 | 3⅞ | 2K1217 |
| F | 4⅞ | 2K1211 | 3⅞ | 2K1212 | | |

NPE STANDARD IMPELLERS BY MOTOR SIZE AT 3500 RPM

For ODP/TEFC Units Built After September 1, 1997

| HP | HP Code | | 1ST | | 2ST | | 3ST | |
|----|---------|-----------|----------|--|----------|--------|----------|--|
| | | | ODP/TEFC | | ODP/TEFC | | ODP/TEFC | |
| ½ | C | Repair # | 2K1199 | | | | | |
| | | Dia. | 4⅞ | | | | | |
| | | Imp. Code | E | | | | | |
| ¾ | D | Repair # | 2K1200 | | 2K1212 | | | |
| | | Dia. | 4¾ | | 3⅞ | | | |
| | | Imp. Code | D | | F | | | |
| 1 | E | Repair # | 2K1201 | | 2K1213 | | 2K1217 | |
| | | Dia. | 5⅞ | | 4¼ | | 3⅞ | |
| | | Imp. Code | C | | E | | E | |
| 1½ | F | Repair # | 2K1202 | | 2K1214 | | 2K1218 | |
| | | Dia. | 5¾ | | 4⅞ | | 4⅞ | |
| | | Imp. Code | B | | D | | D | |
| 2 | G | Repair # | 2K1203 | | 2K1215 | | 2K1219 | |
| | | Dia. | 6⅞ | | 4⅞ | | 4⅞ | |
| | | Imp. Code | A | | C | | C | |
| 3 | H | Repair # | 2K1203 | | 2K1216 | | 2K1220 | |
| | | Dia. | 6⅞ | | 5¼ | | 4¾ | |
| | | Imp. Code | A | | A | | A | |
| 5 | J | Repair # | | | 2K1206 | 2K1221 | 2K1209 | |
| | | Dia. | | | 5⅞ | 6⅞ | 5⅞ | |
| | | Imp. Code | | | G | K | G | |

For Current Explosion Proof and All Units Built Before September 1, 1997

| HP | HP Code | | 1ST | | 2ST | | 3ST | |
|----|---------|-----------|--------|----------|--------|----------|--------|----------|
| | | | ODP | TEFC/EXP | ODP | TEFC/EXP | ODP | TEFC/EXP |
| ½ | C | Repair # | 2K1199 | 2K1211 | | | | |
| | | Dia. | 4⅞ | 4⅞ | | | | |
| | | Imp. Code | E | F | | | | |
| ¾ | D | Repair # | 2K1200 | 2K1199 | 2K1212 | | | |
| | | Dia. | 4¾ | 4⅞ | 3⅞ | | | |
| | | Imp. Code | D | E | F | | | |
| 1 | E | Repair # | 2K1201 | 2K1200 | 2K1213 | 2K1212 | 2K1217 | |
| | | Dia. | 5⅞ | 4¾ | 4¼ | 3⅞ | 3⅞ | |
| | | Imp. Code | C | D | E | F | E | |
| 1½ | F | Repair # | 2K1202 | 2K1201 | 2K1214 | 2K1213 | 2K1218 | 2K1217 |
| | | Dia. | 5¾ | 5⅞ | 4⅞ | 4¼ | 4⅞ | 3⅞ |
| | | Imp. Code | B | C | D | E | D | E |
| 2 | G | Repair # | 2K1203 | 2K1202 | 2K1215 | 2K1214 | 2K1219 | 2K1218 |
| | | Dia. | 6⅞ | 5¾ | 4⅞ | 4⅞ | 4⅞ | 4⅞ |
| | | Imp. Code | A | B | C | D | C | D |
| 3 | H | Repair # | 2K1203 | 2K1203 | 2K1216 | 2K1204 | 2K1220 | 2K1207 |
| | | Dia. | 6⅞ | 6⅞ | 5¼ | 5⅞ | 4¾ | 4⅞ |
| | | Imp. Code | A | A | A | B | A | B |
| 5 | J | Repair # | | | 2K1206 | 2K1221 | 2K1209 | |
| | | Dia. | | | 5⅞ | 6⅞ | 5⅞ | |
| | | Imp. Code | | | G | K | G | |

Note:** Max. Explosion Proof rating is 2 HP.

NPE CLOSE-COUPLED MOTORS

MODEL NPE 3500 RPM

| HP | Single-Phase, 60 Hz, 115/230 V**, 56J Frame | | | | | | | | |
|----|---|-----------|------------|------------------------------|-----------|------------|-----------------|-----------|------------|
| | Open, Drip-Proof ① | | | Totally Enclosed, Fan Cooled | | | Explosion Proof | | |
| | Order No. | Max. Amps | Wt. (lbs.) | Order No. | Max. Amps | Wt. (lbs.) | Order No. | Max. Amps | Wt. (lbs.) |
| ½ | E04853S | 10.0/5.0 | 16 | E04821S | 6.2/3.1 | 21 | BBC04825 | 6.2/3.1 | 47 |
| ¾ | E05853S | 14.0/7.0 | 19 | E05821S | 8.8/4.4 | 24 | BBC05825 | 8.8/4.4 | 41 |
| 1 | E06853S | 16.0/8.0 | 22 | E06821S | 11.6/5.8 | 26 | BBC06825 | 11.6/5.8 | 49 |
| 1½ | E07858S | 21.4/10.7 | 31 | E07821S | 16.2/8.1 | 35 | BBC07825 | 16.2/8.1 | 56 |
| 2 | E08854S | 26.8/13.4 | 36 | E08821S | 20.8/10.4 | 39 | BBC08825 | 20.8/10.4 | 60 |
| 3 | E09854S | 14.0 | 40 | E09821S | 11.89 | 44 | | | |
| 5 | E10A12D1EB1G | 14.4 | 55 | | | | | | |

Note:** 3 and 5 HP Single-Phase motors are 230 V only.

| HP | Three-Phase, 60 Hz, 208-230/460 V, 56J Frame | | | | | | | | |
|----|--|-----------|------------|------------------------------|-----------|------------|-----------------|-----------|------------|
| | Open, Drip-Proof ① | | | Totally Enclosed, Fan Cooled | | | Explosion Proof | | |
| | Order No. | Max. Amps | Wt. (lbs.) | Order No. | Max. Amps | Wt. (lbs.) | Order No. | Max. Amps | Wt. (lbs.) |
| ½ | E04873S | 2.6/1.3 | 19 | E04876S | 1.9/0.95 | 18 | BBC04875 | 1.9/0.95 | 27 |
| ¾ | E05873S | 3.4/1.7 | 19 | E05876S | 2.3/1.15 | 21 | BBC05875 | 2.3/1.15 | 30 |
| 1 | E06873S | 4.2/2.1 | 22 | E06D32E5HB5G | 3.2/1.6 | 21 | K06C32E6EB1S | 3.2/1.6 | 30 |
| 1½ | E07878S | 5.8/2.9 | 25 | E07D32E5HB4G | 4.8/2.4 | 27 | K07C32E6EB1S | 4.8/2.4 | 37 |
| 2 | E08874S | 6.9/3.3 | 39 | E08D32E5HB3G | 5.4/2.7 | 33 | F08C32E6EB1G | 5.4/2.7 | 44 |
| 3 | E09874S | 7.2/3.6 | 31 | E09D32E5HB2G | 7.6/3.8 | 37 | | | |
| 5 | E10774S | 7.2/14.4 | 50 | K10D32E2EB1G | 6.2/12.4 | 48 | | | |

① For vertical mounting order motor canopy separately - 9K272 for ½, ¾ and 1 HP single phase or 9K273 for all other ODP motors

MODEL NPE 1750 RPM

| HP | Single-Phase, 60 Hz, 115/230 V, 56J Frame | | | | | | | | |
|----|---|-----------|------------|------------------------------|-----------|------------|-----------------|-----------|------------|
| | Open, Drip-Proof ① | | | Totally Enclosed, Fan Cooled | | | Explosion Proof | | |
| | Order No. | Max. Amps | Wt. (lbs.) | Order No. | Max. Amps | Wt. (lbs.) | Order No. | Max. Amps | Wt. (lbs.) |
| ½ | E04811 | 8.6/4.3 | 19 | E04812 | 8.0/4.0 | 20 | BBC04815 | 8.0/4.0 | 45 |

| HP | Three-Phase, 60 Hz, 208-230/460 V, 56J Frame | | | | | | | | |
|----|--|--------------|------------|------------------------------|--------------|------------|-----------------|--------------|------------|
| | Open, Drip-Proof ① | | | Totally Enclosed, Fan Cooled | | | Explosion Proof | | |
| | Order No. | Max. Amps | Wt. (lbs.) | Order No. | Max. Amps | Wt. (lbs.) | Order No. | Max. Amps | Wt. (lbs.) |
| ½ | E04831 | 3.76/4.0/2.0 | 20 | E04C34E2EB1G | 1.77/1.6/0.8 | 20 | BBC04835 | 1.77/1.6/0.8 | 45 |

Note: Explosion Proof Motors are class 1 and 2, Group D

Xylem |'zīləm|

- 1) The tissue in plants that brings water upward from the roots;
- 2) a leading global water technology company.

We're a global team unified in a common purpose: creating advanced technology solutions to the world's water challenges. Developing new technologies that will improve the way water is used, conserved, and re-used in the future is central to our work. Our products and services move, treat, analyze, monitor and return water to the environment, in public utility, industrial, residential and commercial building services, and agricultural settings. With its October 2016 acquisition of Sensus, Xylem added smart metering, network technologies and advanced data analytics for water, gas and electric utilities to its portfolio of solutions. In more than 150 countries, we have strong, long-standing relationships with customers who know us for our powerful combination of leading product brands and applications expertise with a strong focus on developing comprehensive, sustainable solutions.

For more information on how Xylem can help you, go to www.xylem.com



Xylem Inc.
2881 East Bayard Street Ext., Suite A
Seneca Falls, NY 13148
Phone: (800) 453-6777
Fax: (888) 322-5877
www.gouldswatertechnology.com

Goulds is a registered trademark of Goulds Pumps, Inc. and is used under license.
© 2018 Xylem Inc. RNPE R5 February 2018